

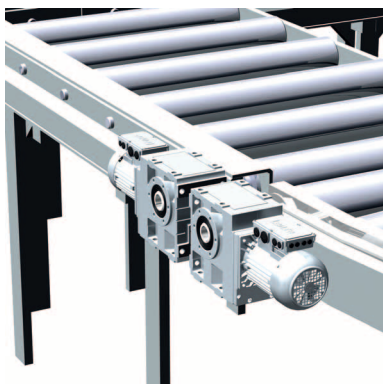
The inverter for constant motion.



The BaseLine version is the entry-level model in terms of functionality and drive behavior. Featuring an integrated keypad and everything you would expect from a modern frequency inverter suitable for universal use, the 8400 BaseLine is the ideal solution for applications such as conveyor drives, pumps, fans or ventilators.

Highlights

- V/f control without feedback (linear or square-law)
- Sensorless vector control
- Flying restart circuit
- PID controller
- I²t motor monitoring



8400 BaseLine Technology – At a glance

Performance data	
Mains: 1 AC 230/240 V	0.33 to 3 Hp (0.25 to 2.2 kW)
Mains: 3 AC 400/480 V	0.5 - 4 Hp (0.37 to 3.0 kW)
Overload current	
	150 % (60 s) Up to 200 % (3 s)
Operating conditions	
	Operating temperature 14° F to 131° F [-10 °C to +55 °C (derating above 45 °C: 2.5 %/K)] IP20 enclosure
Functions	
	DC brake function Flying restart circuit, PID controller Sensorless vector control
Interfaces	
	Memory modules, L-force diagnostics interface CANopen optional Integrated brake chopper External 24 V supply Digital inputs / outputs (5/1), analog inputs / outputs (1/1), relay
Approvals	
	CE, UL, GOST-R, RoHS

